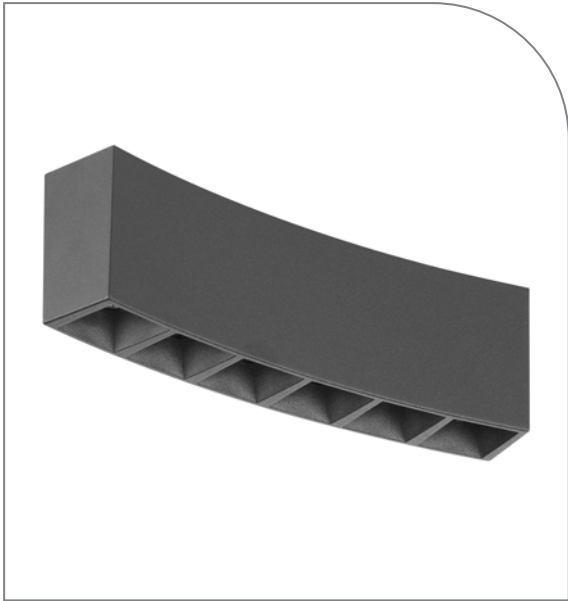


specter

SPECTER CURVE MODULES
UNDROP DOT

bold
lighting



UNDROP DOT

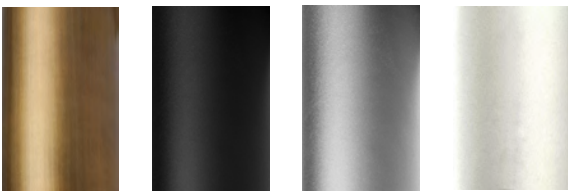
Our Magnetic track system, SPECTER, is a highly configurable, 2 circuits, 24VDC low voltage track system. Thanks to its magnet mounting technology, the modules are inter-changeable instantaneously. Our track is available in ceiling pendant, surface and recessed mounting for both ceiling and walls. SPECTER track is also available with an optional linear uplight feature. The Undrop module offers a quietly recessed fixture configuration, flush with the face of the track. It comes with a wide range of lengths and optics, allowing the illumination of both horizontal or vertical planes, at different ceiling heights, ranging from a single level to a tall triple level atrium.

- Up to 747lm delivered output
- Available in 2 sizes, 4" and 6"
- Available in Low glare baffles
- Fixtures designed to mount in SPECTER track
- Available in 4 standard finishes: Black, white, silver and bronze

Notes: ¹ Available dimming 0-10V and DALI

Code example: **SPSH-U04W-W-N827-2**

STANDARD FINISHES



Z **B** **S** **W**

DELIVERED LUMEN OUTPUT

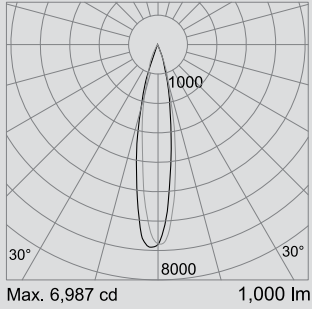
Length	Watts	CRI +80				CRI +90			
		2700K	3000K	3500K	4000K	2700K	3000K	3500K	4000K
4"	4W	248lm	275lm	303lm	333lm	200lm	222lm	244lm	269lm
6"	8W	556lm	618lm	680lm	747lm	448lm	498lm	548lm	603lm

Series	Length		Body Finish		Baffle Finish		Beam Angle		CRI		Color Temp		Circuit	
SPSH-U	04	4"	W	White	W	White	N	12°	8	+80	27	2700K	1	1-Circuit
		06		6"		B		Black		B		Black		M
	S		Silver	S	Silver	F	48°	35	3500K					
	Z		Bronze	Z	Bronze			40	4000K					
	X	Custom	X	Custom										

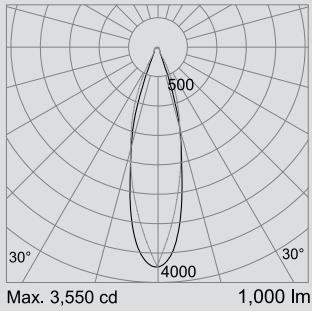


Photometric data:
Type C Polar Curves

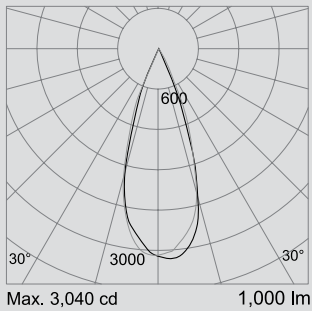
12° Beam Angle



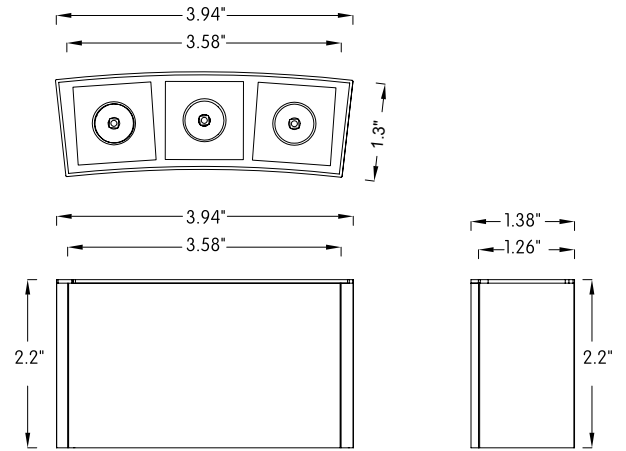
24° Beam Angle



48° Beam Angle



UNDROP DOT 4



UNDROP DOT 6

